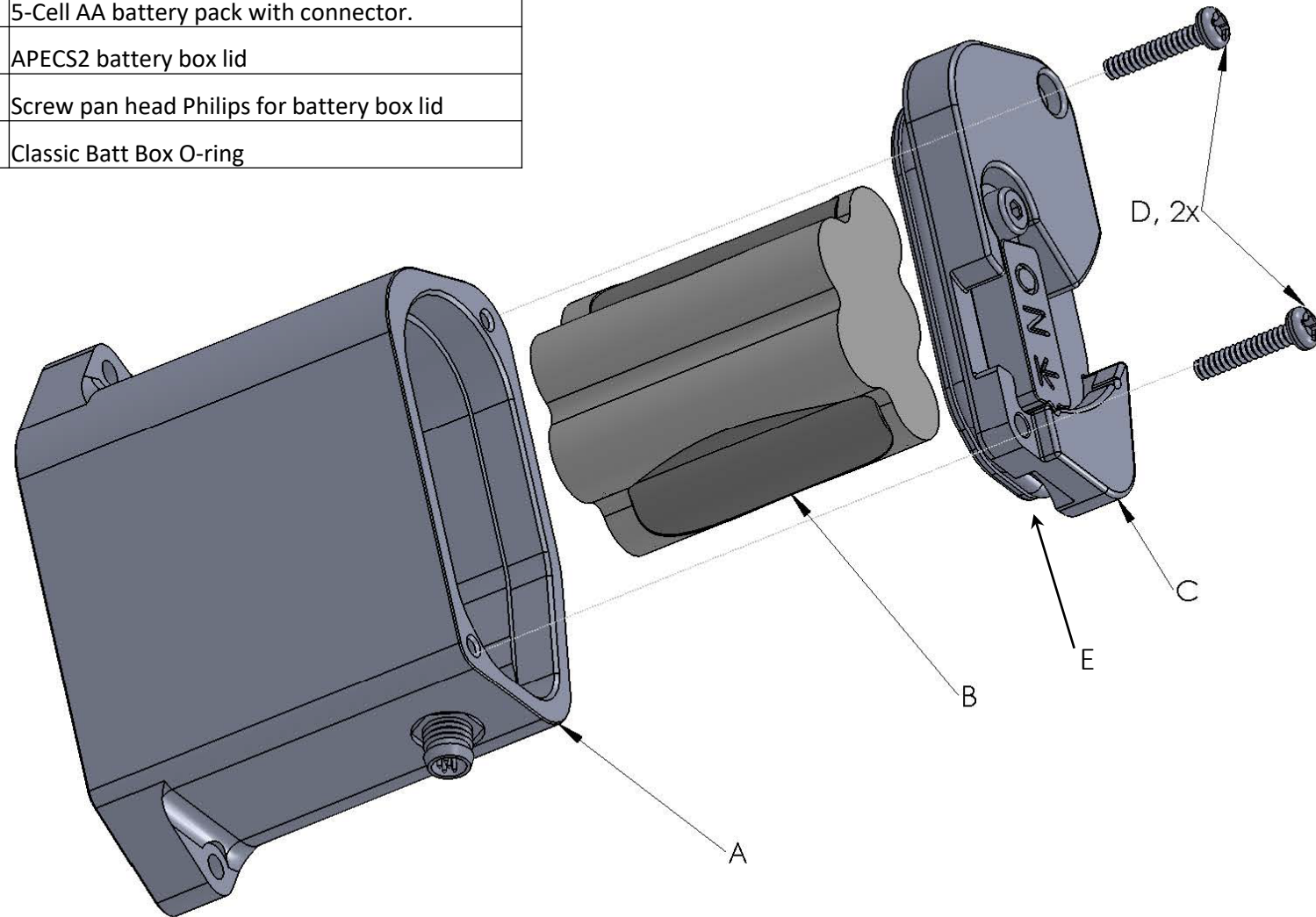


Key	Part #	Description
A	BB-Batt BOX 2.x-ASSY	Battery Box Assembly APECS2
B	BB-5Cell AA Pack-Assembly	5-Cell AA battery pack with connector.
C	BB-Lid APECS2-ASSY	APECS2 battery box lid
D	FST-Screw BB lid	Screw pan head Philips for battery box lid
E	OR-224	Classic Batt Box O-ring



BB-Batt BOX 2.x-ASSY